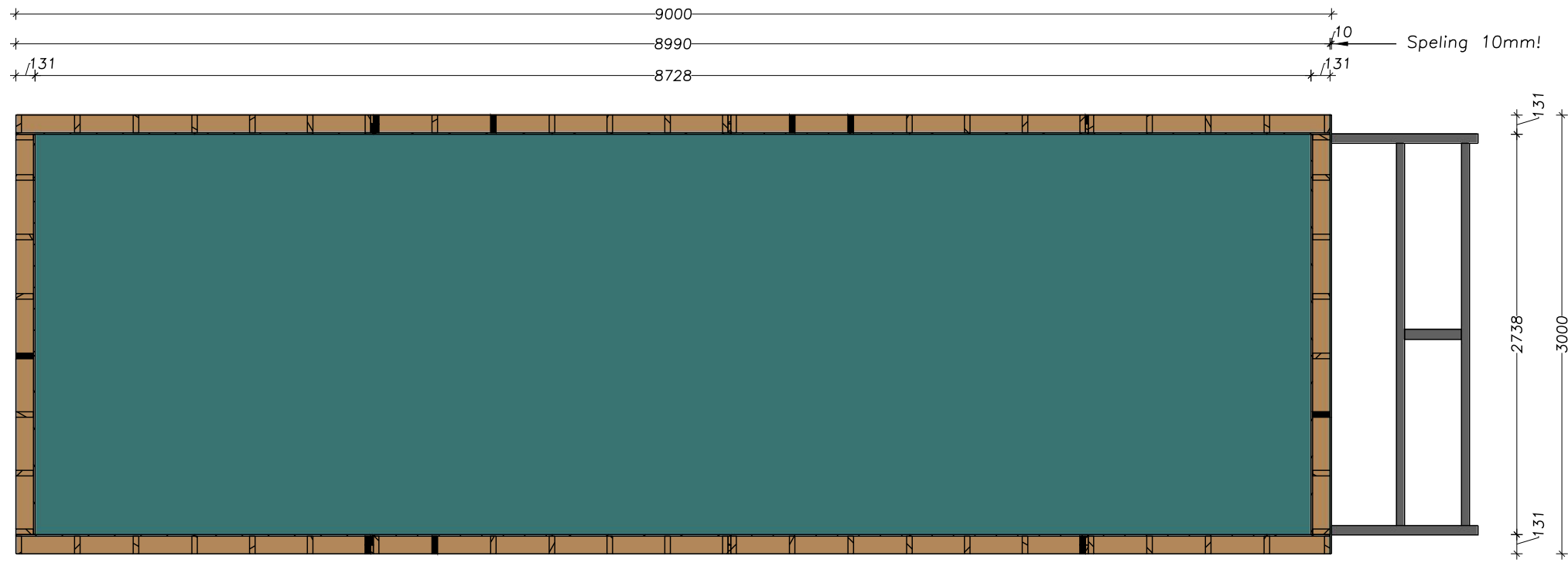
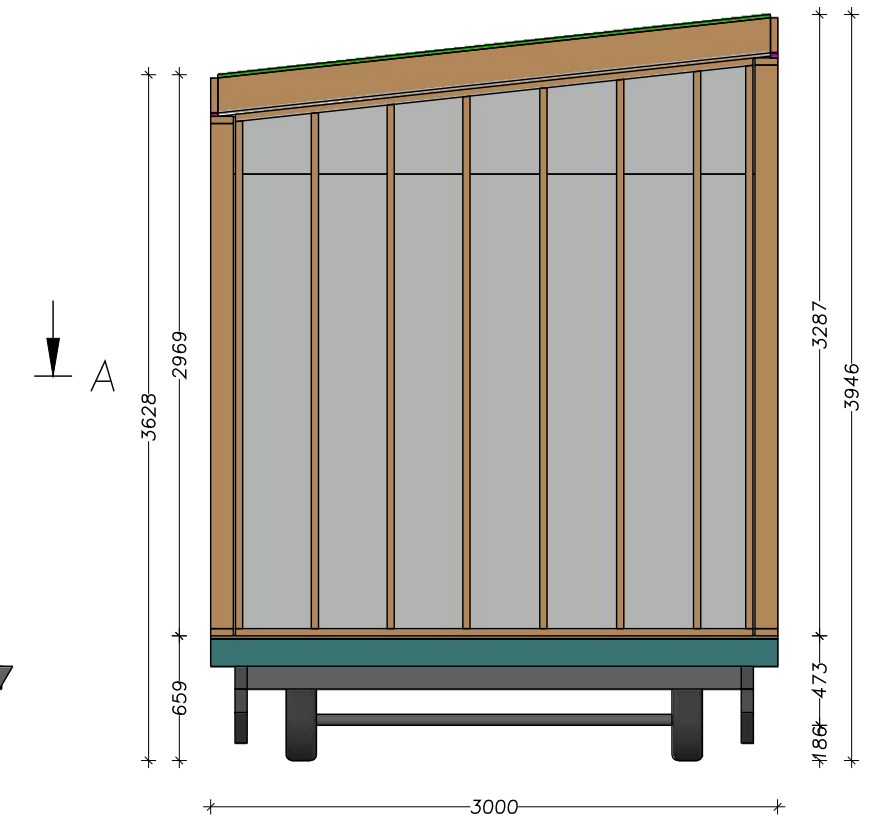
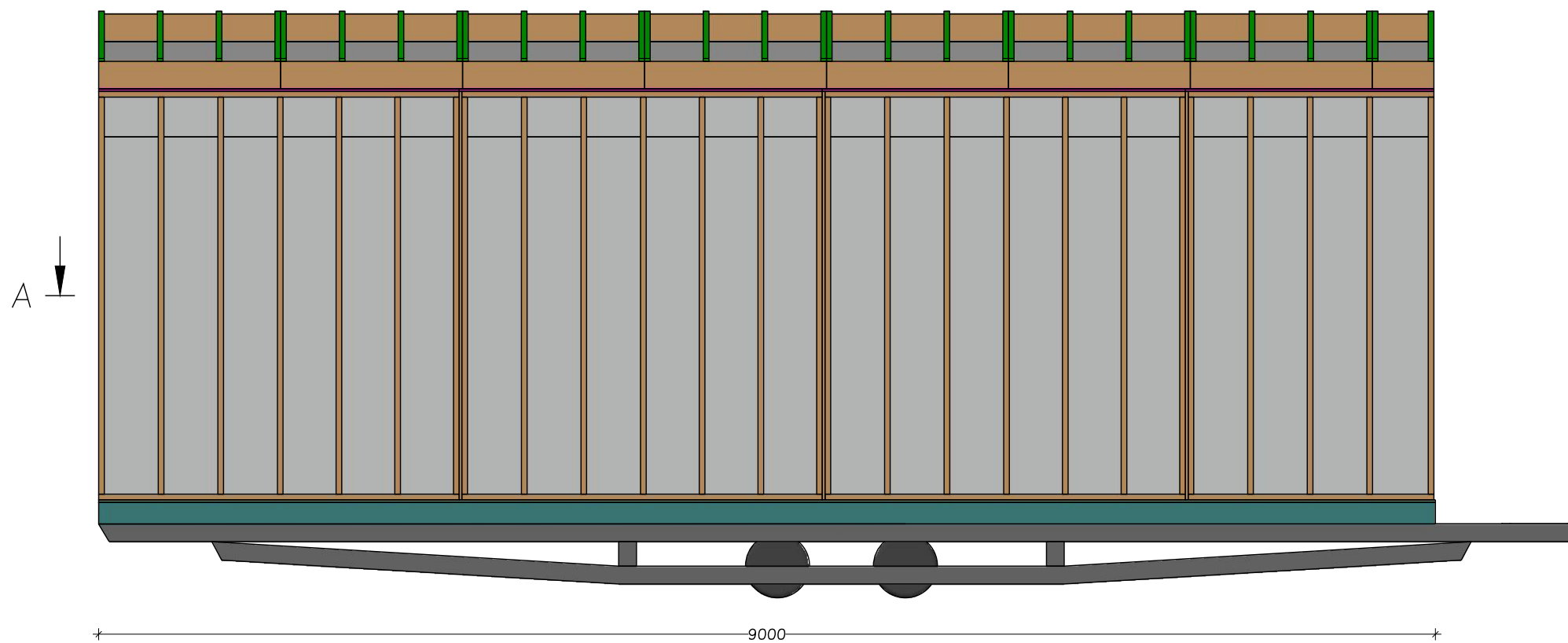


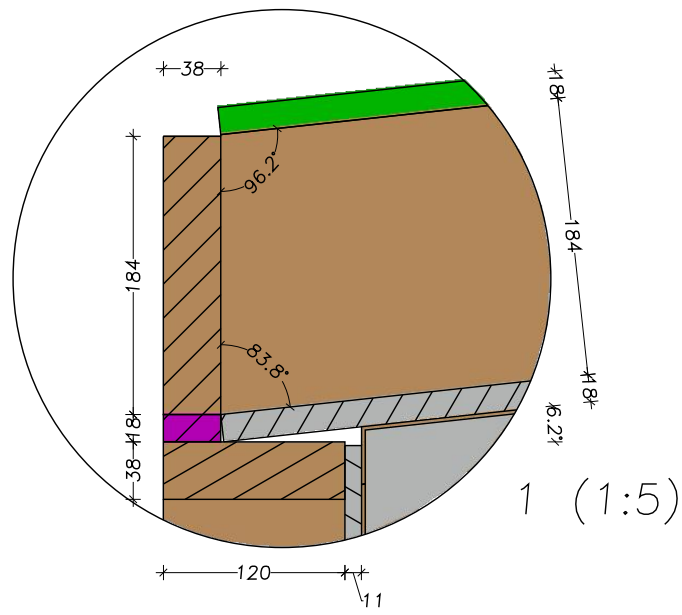
Rev.	Docket	HSB-422		Client	RTL 4		
	Scale	as noted		Project	Tiny House		
	Drawn by	M. Licher	Date	27-01-2021		Dwg Title	01.00.00 Tiny-House-Type-01 - Iso
	Checked by		Date			Location	----
	Paper size	A3				Sheet	1 of 2



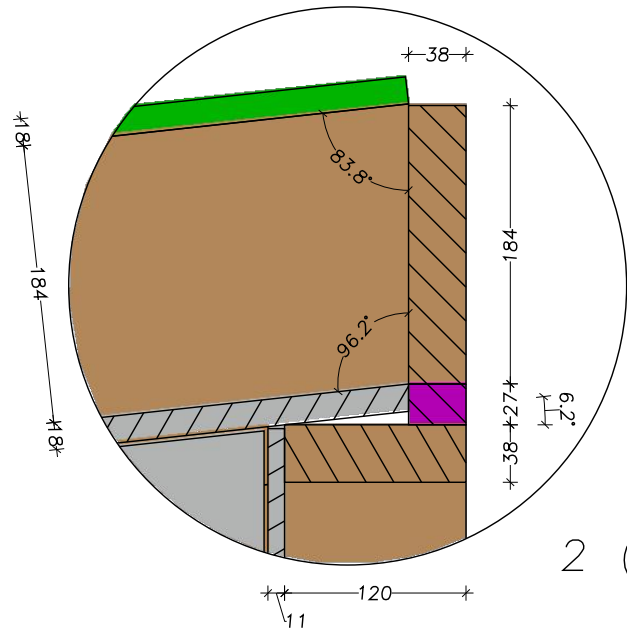
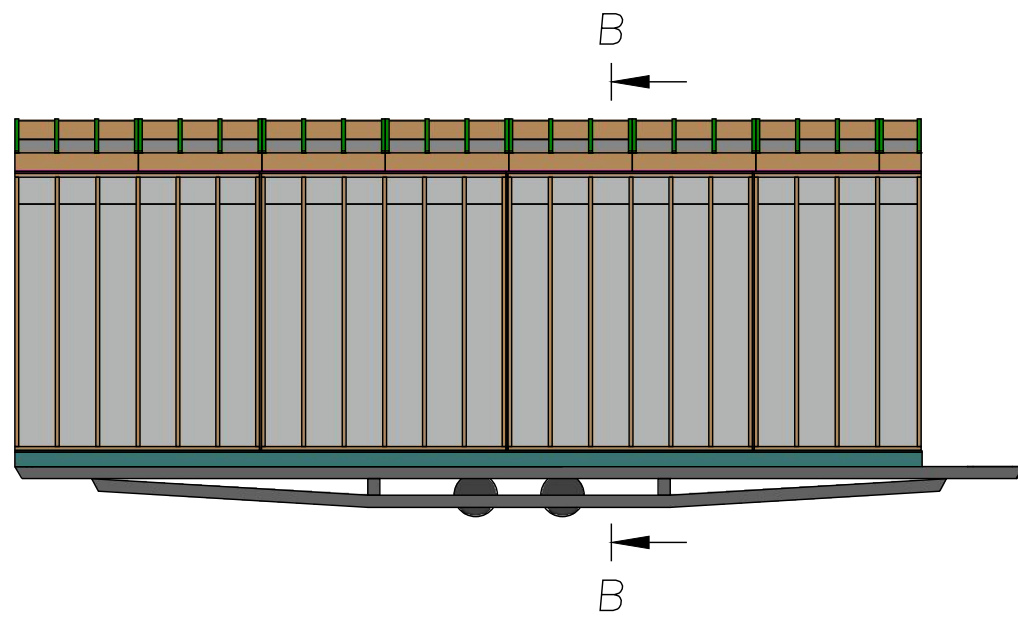
A-A (1:40)



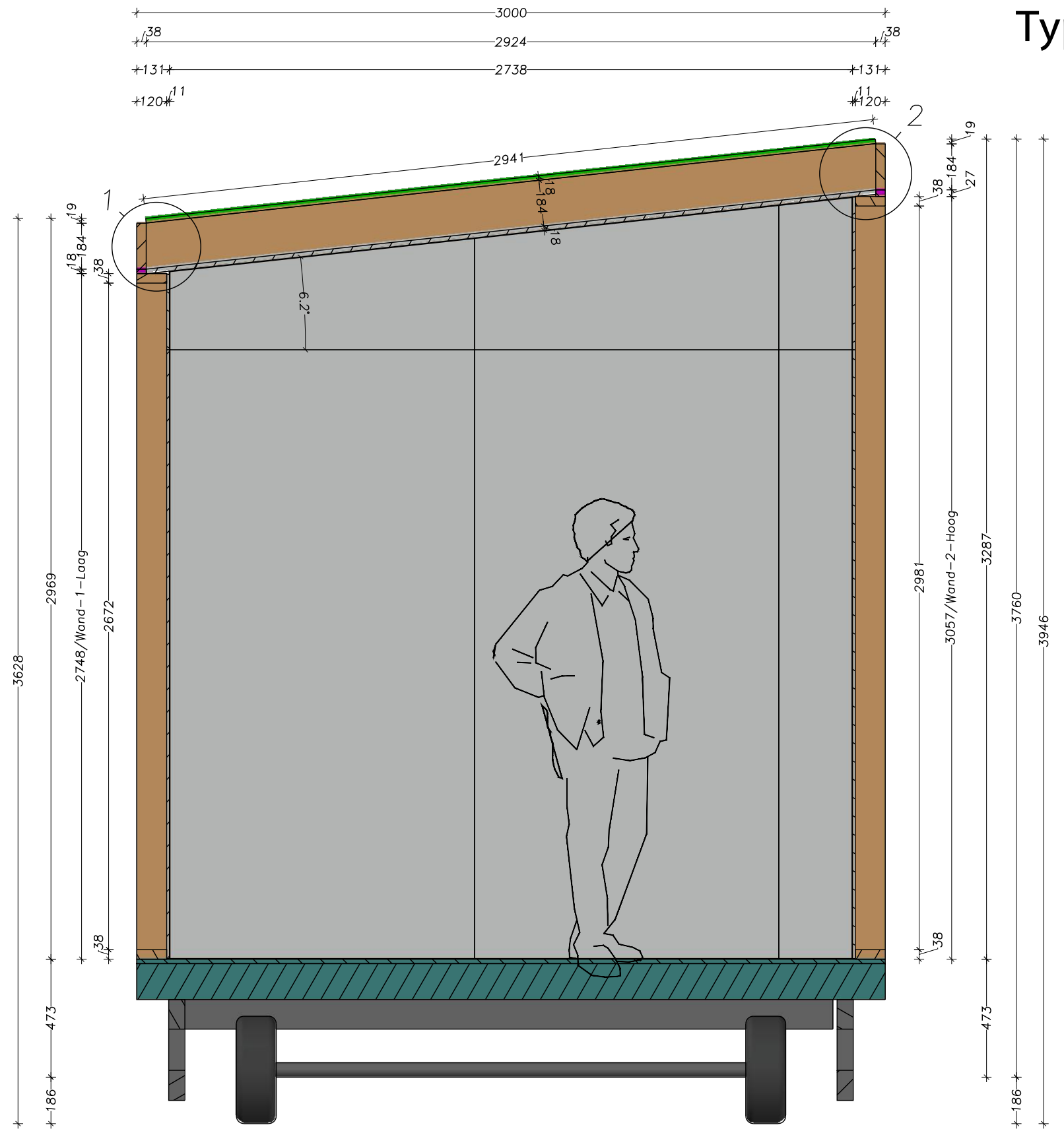
Rev.	Docket	HSB-422	Client	RTL 4
	Scale	as noted	Project	Tiny House
	Drawn by	M. Licher	Date	27-01-2021
	Checked by		Date	
	Paper size	A3	Dwg Title	01.00.00 Tiny-House-Type-01 - Aanzichten
			Location	----
			Sheet	2 of 3



1 (1:5)



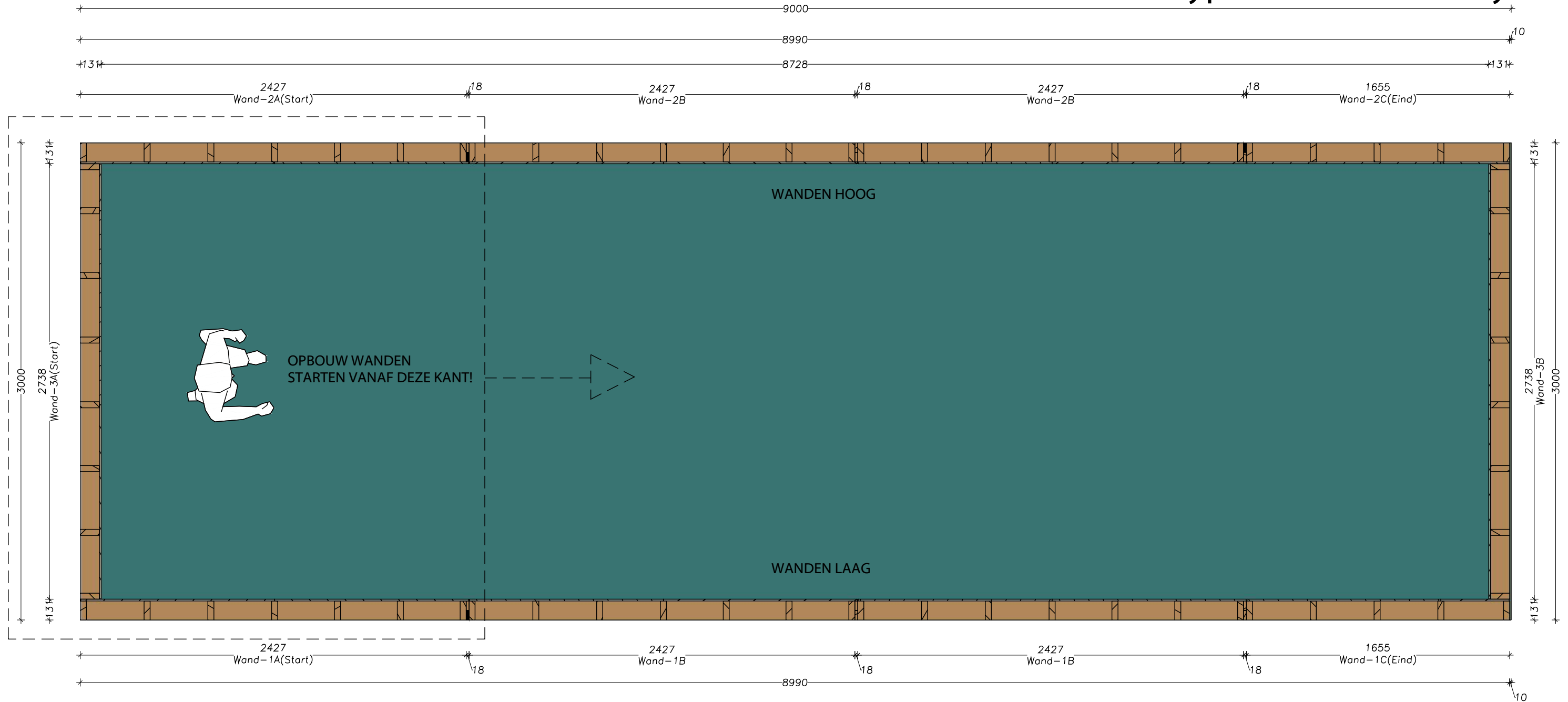
2 (1:5)



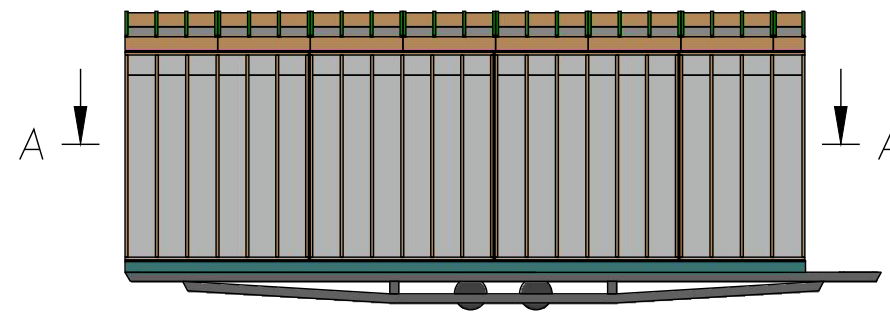
B-B (1:20)

Rev.	Docket	HSB-422	Client	RTL 4
	Scale	as noted	Project	Tiny House
	Drawn by	M. Licher	Date	27-01-2021
	Checked by		Date	
	Paper size	A3	Dwg Title	01.00.00 Tiny-House-Type-01 - Doorsnede
			Location	----
			Sheet	3 of 3

# Type-01 / Wanden Layout

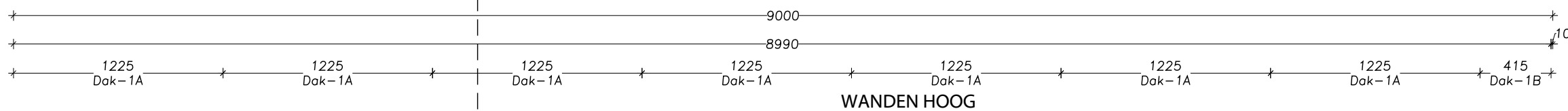


A-A (1:25)

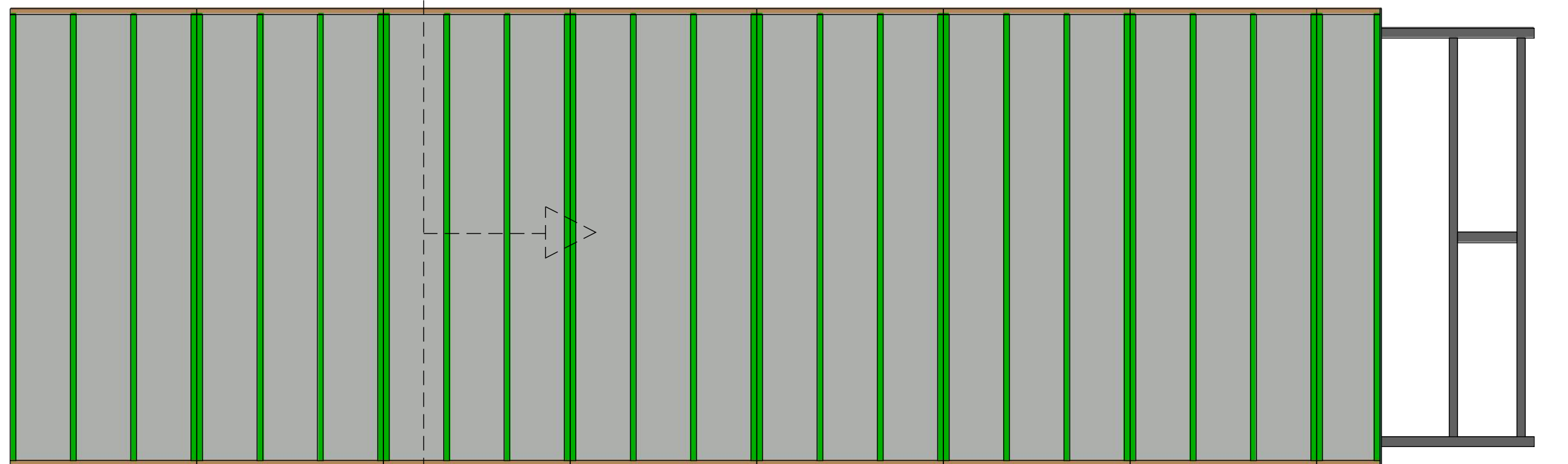


Rev.	Docket	HSB-422		Client	RTL 4		
	Scale	as noted		Project	Tiny House		
	Drawn by	M. Licher	Date	28-01-2021		Dwg Title	01.00.01 Wanden - Layout
	Checked by		Date	Location	----	Sheet	1 of 1
	Paper size	A3			----		

OPBOUW DAK  
STARTEN VANAF DEZE KANT!



WANDEN HOOG



WANDEN LAAG

Rev.	Docket	HSB-422		Client	RTL 4		
	Scale	as noted		Project	Tiny House		
	Drawn by	M. Licher	Date	28-01-2021		Dwg Title	01.00.02 Dak - Layout
	Checked by		Date			Location	----
	Paper size	A3				Sheet	1 of 1